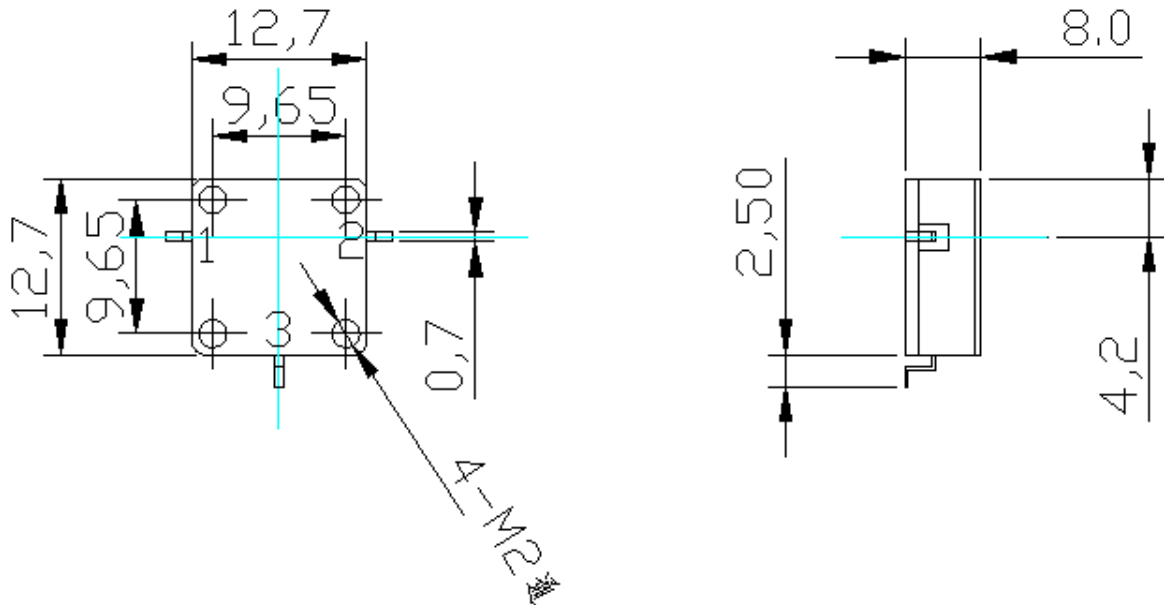


Features

- Microwave Circulators and Isolators for base station
- Metal Package for **drop in** Technology
- Lead-free Production and **RoHS** Compliance

Package Dimensions



<p style="text-align: center;">Marking</p>	Top View, Laser Marking					
	"ND":	Manufacturer's mark			"C"	Circulator
	"9006":	Part number				Conduct Direction
	"I"	IN	"O"	OUT	"L"	LOAD
		1880-1920MHz : operating Frequency Range				
	"*":	Lot number (the first two numbers of years and the last two numbers of weeks)				

Maximum Ratings

Rating		Value	Unit
Average Power	P_{PX}	50	W
Operating Temperature Range	T_A	-40 ~ +85	°C

Electrical Characteristics

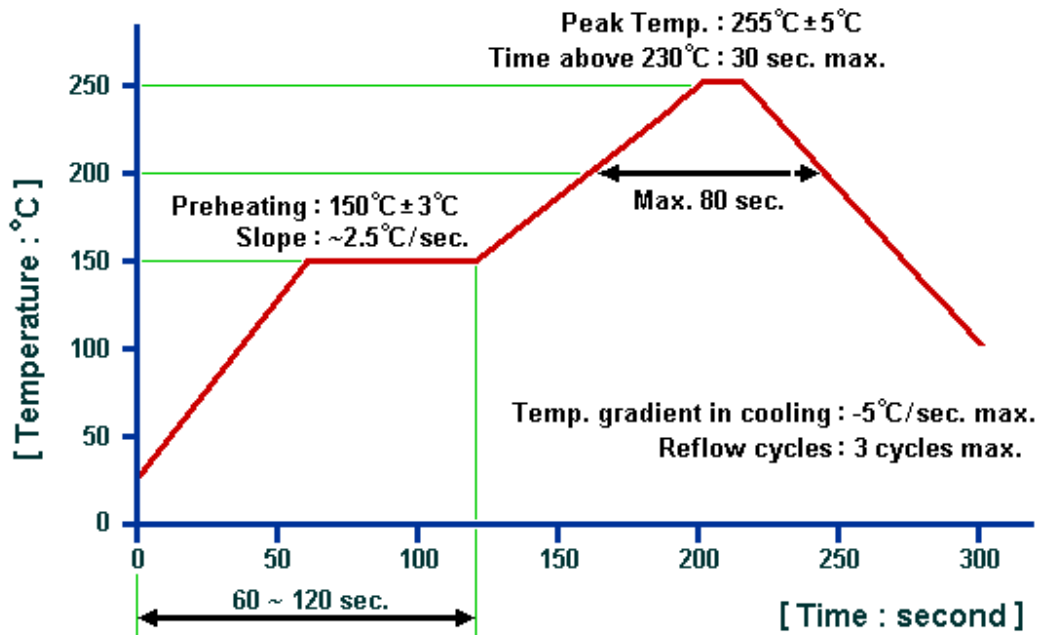
Reference temperature: $T_A = 25\text{ }^\circ\text{C}$
 Terminating source impedance: $Z_S = 50\ \Omega$
 Terminating load impedance: $Z_L = 50\ \Omega$

Characteristic		Min.	Typ.	Max.	Unit
Working frequency	f_c	1880		1920	MHz
Insertion attenuation	IL	—	—	0.25	dB
Isolation		23	—	—	dB
Input Return Loss		23	—		dB
Output Return Loss		23	—		dB

RoHS Compliant

Electrostatic Sensitive Device

Recommended Soldering Profile



© NEDI 2015. All Rights Reserved.

Our liability is only assumed for the circulator and isolator component(s) per se, not for applications, processes and circuits implemented within components or assemblies.
 For questions on technology, prices and delivery, please contact our sales offices or e-mail winnsky@winnsky.com.