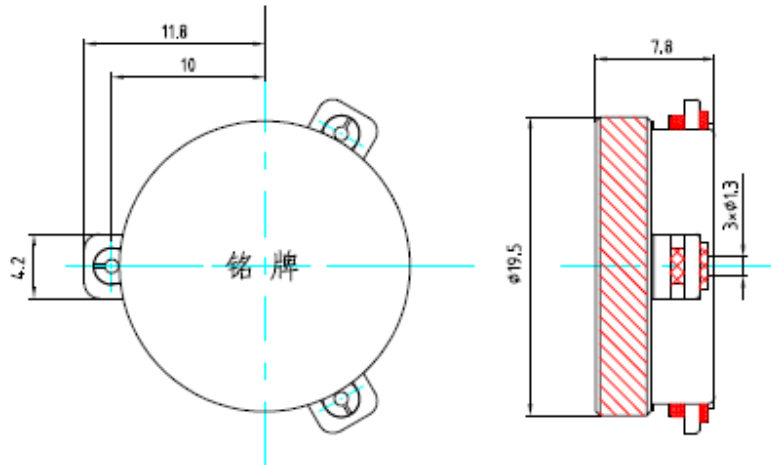


**Features**

- Microwave Circulators and Isolators for base station
- Metal Package for **Surface Mounted Technology (SMT)**
- Lead-free Production and **RoHS** Compliance

**Package Dimensions**



<p style="text-align: center;"><b>Marking</b></p>	Top View, Laser Marking					
	"ND":	Manufacturer's mark			"C":	Circulator
	"9016":	Part number				Conduct Direction
	"I"	IN	"O"	OUT	"L"	LOAD
		2.320-2.370GHz : operating Frequency Range				
	"*":	Lot number (the first two numbers of years and the last two numbers of weeks)				

**Maximum Ratings**

Rating		Value	Unit
Average Power	$P_{AVG}$	150	W
Operating Temperature Range	$T_A$	-40 ~ +85	°C
Storage Temperature Range	$T_{stg}$	-55 ~ +125	°C

**Electrical Characteristics**

Reference temperature:  $T_A = 25\text{ °C}$   
 Terminating source impedance:  $Z_S = 50\ \Omega$   
 Terminating load impedance:  $Z_L = 50\ \Omega$

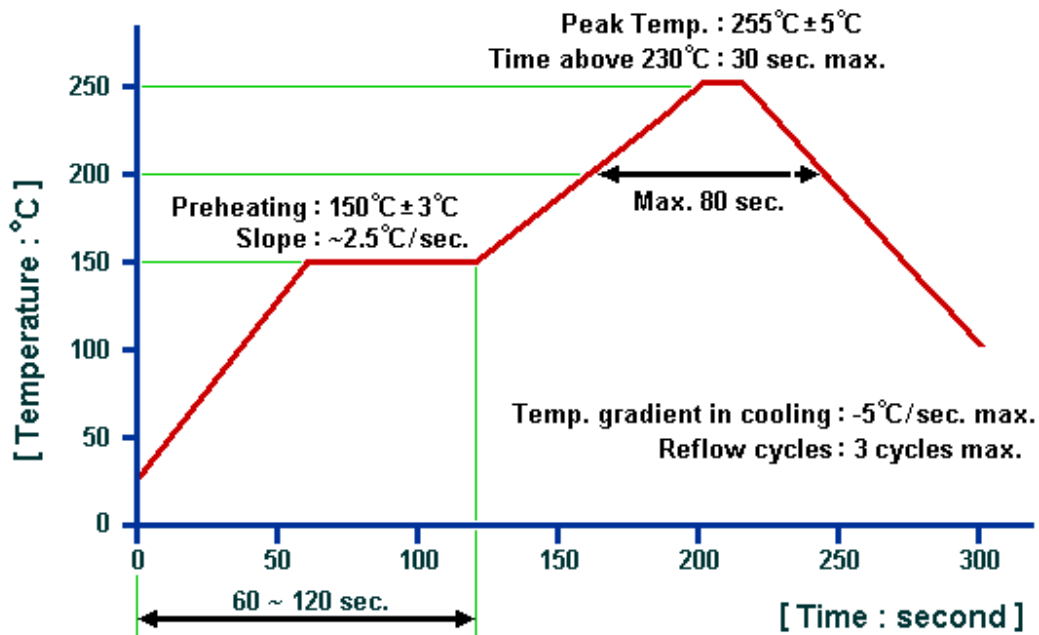
Characteristic (-40~+85)		Min.	Typ.	Max.	Unit
Center frequency	$f_c$	2.320		2.370	GHz
Insertion attenuation	$IL$	—		0.25	dB
Isolation		23		—	dB
Input Return Loss		23			dB
Output Return Loss		23			dB
IMD(2X40W, 5MHz space)		65			dBc

RoHS Compliant

Electrostatic Sensitive Device

Characteristic(+85~+125°C)		Min.	Typ.	Max.	Unit
Center frequency	$f_c$	2.320		2.370	GHz
Insertion attenuation	$IL$	—		0.32	dB
Isolation		20		—	dB
Input Return Loss		20			dB
Output Return Loss		20			dB
IMD(2X40W, 5MHz space)		65			dBc

**Recommended Soldering Profile**



© NEDI 2013. All Rights Reserved.

Our liability is only assumed for the circulator and isolator component(s) per se, not for applications, processes and circuits implemented within components or assemblies.

For questions on technology, prices and delivery, please contact our sales offices or e-mail [winnsky@winnsky.com](mailto:winnsky@winnsky.com).