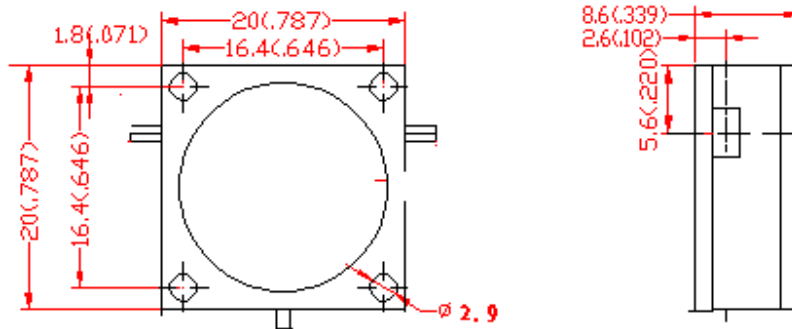


**Features**

- Microwave Circulators and Isolators for base station
- Metal Package for **drop in** Technology
- Lead-free Production and **RoHS** Compliance

**Package Dimensions**



<p style="text-align: center;"><b>Marking</b> ****</p> <p style="text-align: center;">I  O</p> <p style="text-align: center;"><b>2320-2370MHz</b> <b>NDC9113</b> <b>L</b></p>	Top View, Laser Marking					
	"ND":	Manufacturer's mark			"C":	Circulator
	"9113"	Part number				Conduct Direction
	"I"	IN	"O"	OUT	"L"	LOAD
		2320-2370MHz : operating Frequency Range				
	"*":	Lot number (the first two numbers of years and the last two numbers of weeks)				

**Maximum Ratings**

Rating		Value	Unit
Average Power	$P_{PX}$	60	W
Operating Temperature Range	$T_A$	-40 ~ +85	°C

**Electrical Characteristics**

Reference temperature:  $T_A = 25\text{ }^\circ\text{C}$   
 Terminating source impedance:  $Z_S = 50\ \Omega$   
 Terminating load impedance:  $Z_L = 50\ \Omega$

Characteristic		Min.	Typ.	Max.	Unit
Working frequency	$f_c$	2320		2370	MHz
Insertion attenuation	$IL$	—	—	0.25	dB
Isolation		25	—	—	dB
Input VSWR		23	—		dB
Output VSWR		23	—		dB

 **RoHS Compliant**

 **Electrostatic Sensitive Device**

© NEDI 2015. All Rights Reserved.

Our liability is only assumed for the circulator and isolator component(s) per se, not for applications, processes and circuits implemented within components or assemblies.  
 For questions on technology, prices and delivery, please contact our sales offices or e-mail [winnsky@winnsky.com](mailto:winnsky@winnsky.com).