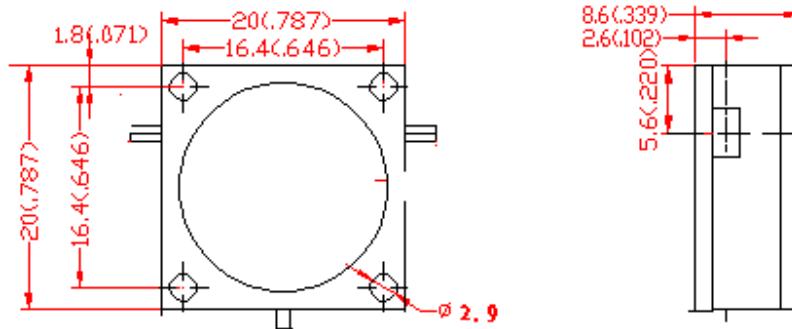


Features

- Microwave Circulators and Isolators for base station
- Metal Package for **drop in** Technology
- Lead-free Production and **RoHS** Compliance

Package Dimensions



| <p style="text-align: center;">Marking</p> <p style="text-align: center;">****</p> <p style="text-align: center;">I → O</p> <p style="text-align: center;">2575-2635MHz</p> <p style="text-align: center;">NDC9115</p> <p style="text-align: center;">L</p> | Top View, Laser Marking | | | | | | |
|---|--|---|-----|-----|------|-------------------|--|
| | "ND": | Manufacturer's mark | | | "C": | Circulator | |
| | "9115" | Part number | | | | Conduct Direction | |
| | "I" | IN | "O" | OUT | "L" | LOAD | |
| | 2575-2635MHz : operating Frequency Range | | | | | | |
| | "*": | Lot number (the first two numbers of years and the last two numbers of weeks) | | | | | |

Maximum Ratings

| Rating | Value | Unit |
|-----------------------------|-----------------|------|
| Average Power | P_{PX} 60 | W |
| Operating Temperature Range | T_A -40 ~ +85 | °C |

Electrical Characteristics

Reference temperature: $T_A = 25\text{ }^\circ\text{C}$
 Terminating source impedance: $Z_S = 50\ \Omega$
 Terminating load impedance: $Z_L = 50\ \Omega$

| Characteristic | | Min. | Typ. | Max. | Unit |
|-----------------------|-------|------|------|------|------|
| Working frequency | f_c | 2575 | | 2635 | MHz |
| Insertion attenuation | IL | — | — | 0.25 | dB |
| Isolation | | 25 | — | — | dB |
| Input VSWR | | 23 | — | | dB |
| Output VSWR | | 23 | — | | dB |

 **RoHS Compliant**

 **Electrostatic Sensitive Device**

© NEDI 2015. All Rights Reserved.

Our liability is only assumed for the circulator and isolator component(s) per se, not for applications, processes and circuits implemented within components or assemblies.

For questions on technology, prices and delivery, please contact our sales offices or e-mail winnsky@winnsky.com.