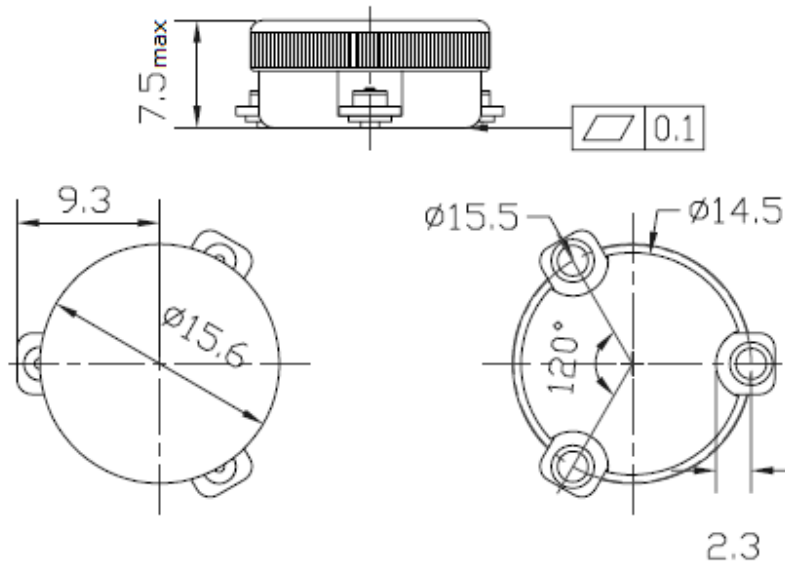


Features

- Microwave Circulators and Isolators for base station
- Metal Package for **Surface Mounted Technology (SMT)**
- Lead-free Production and **RoHS** Compliance

Package Dimensions



<p>Marking</p> <p>****</p> <p>I → 0</p> <p>2.32-2.37GHz</p> <p>NDC9123</p> <p>L</p>	Top View, Laser Marking						
	"ND": Manufacturer's mark			"C": Circulator			
	"9123": Part number						Conduct Direction
	"I"	IN	"O"	OUT	"L"	LOAD	
	2.32-2.37GHz : operating Frequency Range						
	"*":	Lot number (the first two numbers of years and the last two numbers of weeks)					

Maximum Ratings

Rating		Value	Unit
Average Power	P_{AVG}	100	W
Operating Temperature Range	T_A	-40 ~ +125	°C

Electrical Characteristics

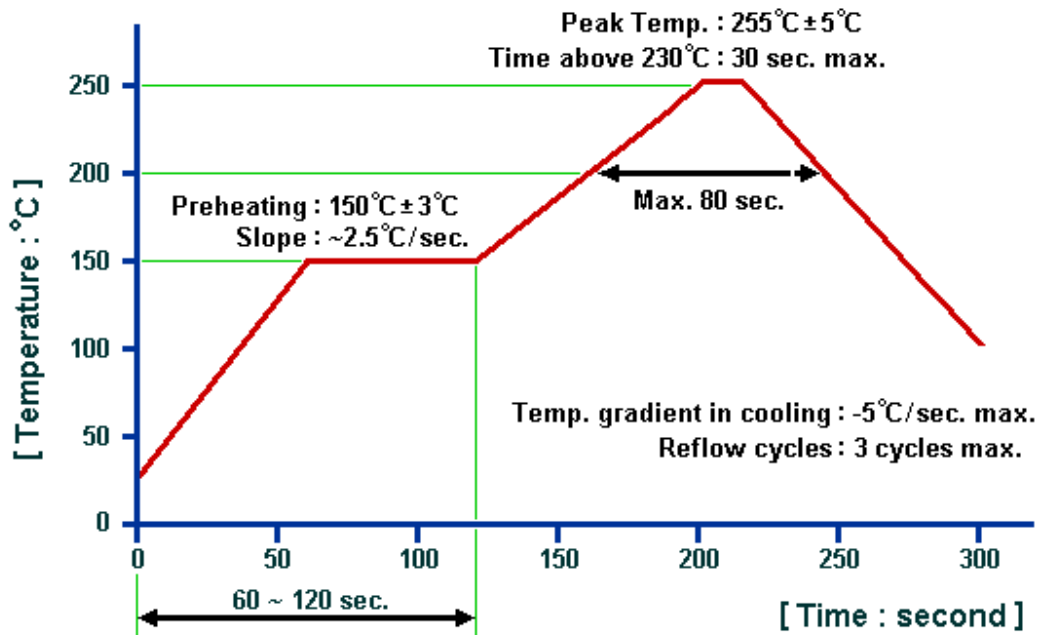
Reference temperature: $T_A = 25\text{ }^\circ\text{C}$
 Terminating source impedance: $Z_S = 50\ \Omega$
 Terminating load impedance: $Z_L = 50\ \Omega$

Characteristic		Min.	Typ.	Max.	Unit
Center frequency	f_c	2.32		2.37	GHz
Insertion attenuation	IL	—		0.25	dB
Isolation		25		—	dB
Input Return Loss		23			
Output Return Loss		23			
IMD(2X44dbm)		65			

RoHS Compliant

Electrostatic Sensitive Device

Recommended Soldering Profile



© NEDI 2013. All Rights Reserved.

Our liability is only assumed for the circulator and isolator component(s) per se, not for applications, processes and circuits implemented within components or assemblies.

For questions on technology, prices and delivery, please contact our sales offices or e-mail winnsky@winnsky.com