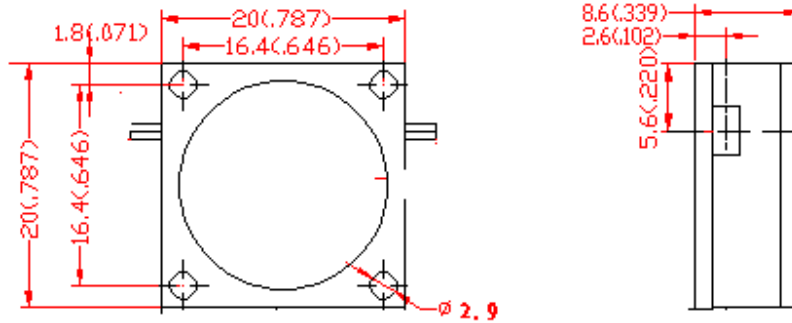


Features

- Microwave Circulators and Isolators for base station
- Metal Package for **drop in** Technology
- Lead-free Production and **RoHS** Compliance

Package Dimensions



<p style="text-align: center;">Marking</p> <p style="text-align: center;">****</p> <p style="text-align: center;">I → O</p> <p style="text-align: center;">870-960MHz</p> <p style="text-align: center;">NDI8003</p>	Top View, Laser Marking					
	"ND": Manufacturer's mark			"I": Isolator		
	"8003" Part number			→ Conduct Direction		
	"I"	IN	"O"	OUT	"L"	LOAD
	870-960MHz : operating Frequency Range					
	"*":	Lot number (the first two numbers of years and the last two numbers of weeks)				

Maximum Ratings

Rating		Value	Unit
Average Power	P_{PX}	30	W
Operating Temperature Range	T_A	-40 ~ +85	°C

Electrical Characteristics

Reference temperature: $T_A = 25\text{ °C}$
 Terminating source impedance: $Z_S = 50\ \Omega$
 Terminating load impedance: $Z_L = 50\ \Omega$

Characteristic		Min.	Typ.	Max.	Unit
Working frequency	f_c	870		960	MHz
Insertion attenuation	IL	—	—	0.25	dB
Isolation		25	—	—	dB
Input VSWR		23	—		dB
Output VSWR		23	—		dB

 **RoHS Compliant**

 **Electrostatic Sensitive Device**

© NEDI 2016. All Rights Reserved.

Our liability is only assumed for the circulator and isolator component(s) per se, not for applications, processes and circuits implemented within components or assemblies.

For questions on technology, prices and delivery, please contact our sales offices or e-mail winnsky@winnsky.com.