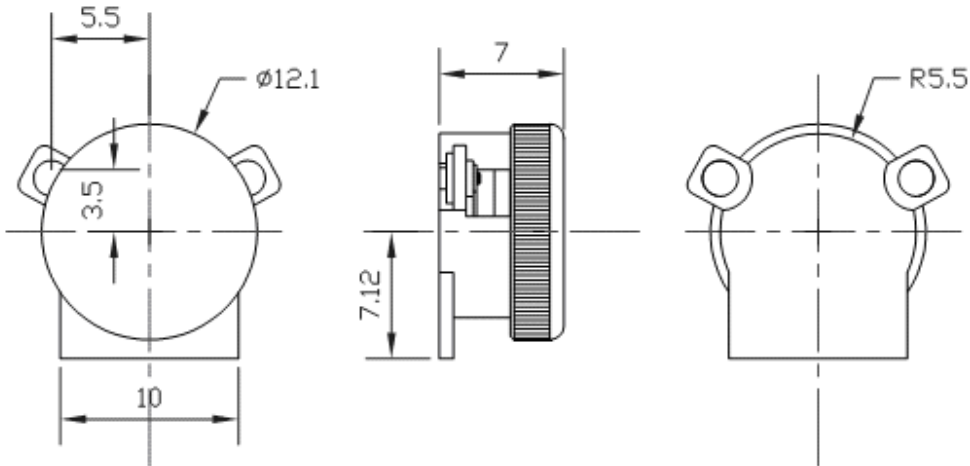


**Features**

- Microwave Circulators and Isolators for base station
- Metal Package for **Surface Mounted Technology (SMT)**
- Lead-free Production and **RoHS** Compliance

**Package Dimensions**



<p style="text-align: center;"><b>Marking</b></p> <p style="text-align: center;">****</p> <p style="text-align: center;">         O</p> <p style="text-align: center;"><b>2.11-2.17GHz</b></p> <p style="text-align: center;"><b>NDI9023</b></p>	Top View, Laser Marking						
	"ND": Manufacturer's mark			"I": Isolator			
	"9023": Part number			". . ": Terminal 1			
	"I"	IN	"O"	OUT	"L"	LOAD	Conduct Direction
	2.110-2.170GHz : operating Frequency Range						
	" * ": Lot number (the first two numbers of years and the last two numbers of weeks)						

**Maximum Ratings**

Rating		Value	Unit
Average Power	$P_{AVG}$	50	W
Peak Power	$P_{PX}$	200	W
Reverse Power	$P$	30	W
Operating Temperature Range	$T_A$	-40 ~ +100	°C
Storage Temperature Range	$T_{stg}$	-55 ~ +150	°C

**Electrical Characteristics**

Reference temperature:  $T_A = 25\text{ }^\circ\text{C}$   
 Terminating source impedance:  $Z_S = 50\ \Omega$   
 Terminating load impedance:  $Z_L = 50\ \Omega$

Characteristic		Min.	Typ.	Max.	Unit
Working frequency	$f_c$	2.110		2.170	GHz
Insertion attenuation	$IL$	—		0.3	dB
Isolation	2110~2170MHz	23		—	dB
Isolation	2050~2230MHz	13		—	dB
Input Return Loss				21	
Output Return Loss				21	
IMD(2X15W, 1MHz space)		60	75		
Group Delay				2.0	ns
Group Delay variation				0.5	ns

 **RoHS Compliant**

 **Electrostatic Sensitive Device**

© NEDI 2013. All Rights Reserved.

Our liability is only assumed for the circulator and isolator component(s) per se, not for applications, processes and circuits implemented within components or assemblies.

For questions on technology, prices and delivery, please contact our sales offices or e-mail [winnsky@winnsky.com](mailto:winnsky@winnsky.com).