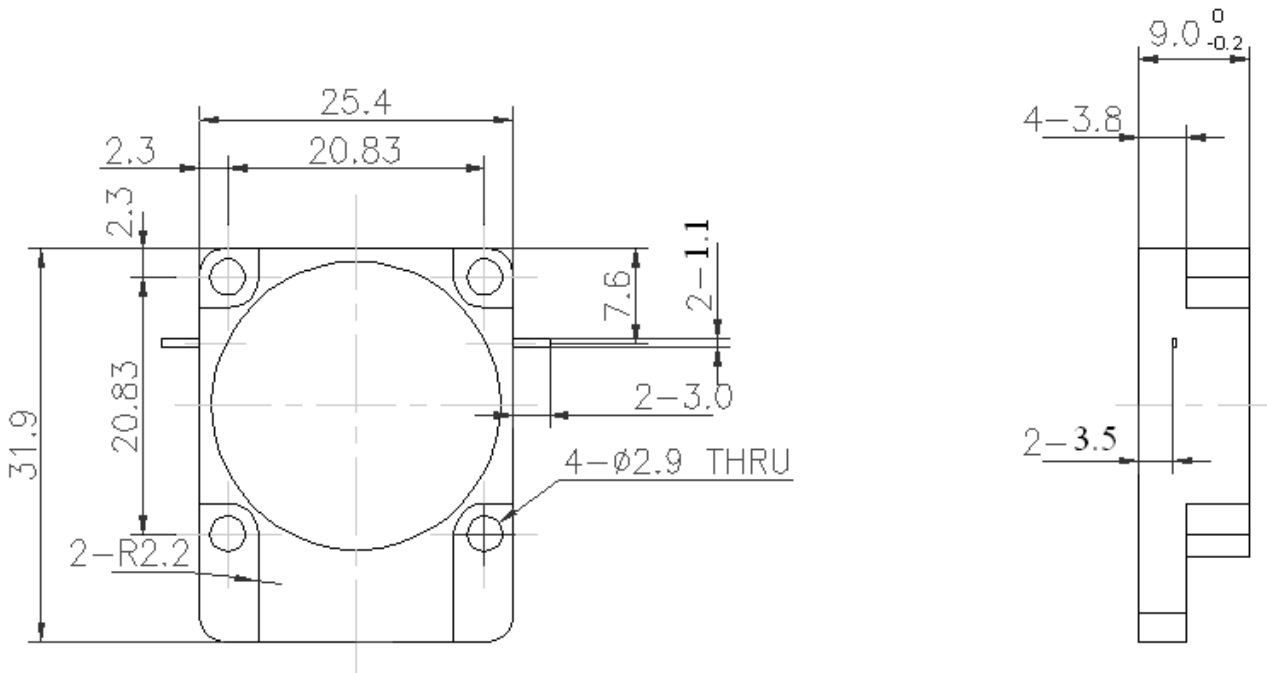


**Features**

- Microwave Circulators and Isolators for base station
- Metal Package for **drop in**
- Lead-free Production and **RoHS** Compliance

**Package Dimensions**



<p style="text-align: center;"><b>Marking</b></p> <p style="text-align: center;">****</p> <p style="text-align: center;">  → ○</p> <p style="text-align: center;"><b>860-870MHz</b></p> <p style="text-align: center;"><b>NDI9027</b></p>	Top View, Laser Marking					
	"ND":	Manufacturer's mark			"I":	Isolator
	"9027":	Part number				
	"I"	IN	"O"	OUT	→	Conduct Direction
		860-870MHz : operating Frequency Range				
	"*":	Lot number (the first two numbers of years and the last two numbers of weeks)				

**Maximum Ratings**

Rating	Value	Unit
Average Power	$P_{AVG}$ 100	W

**Electrical Characteristics**

Reference temperature:  $T_A = 25\text{ }^\circ\text{C}$   
 Terminating source impedance:  $Z_S = 50\ \Omega$   
 Terminating load impedance:  $Z_L = 50\ \Omega$

Characteristic		Min.	Typ.	Max.	Unit
Working frequency	$f_c$	860		870	GHz
Insertion attenuation	$IL$	—	—	0.20	dB
Isolation	860-870MHz	25	—	—	dB
Input Return Loss	860-870MHz	23.2	—	—	dB
Output Return Loss	860-870MHz	23.2	—	—	dB

 **RoHS Compliant**

 **Electrostatic Sensitive Device**

© NEDI 2014. All Rights Reserved.

Our liability is only assumed for the circulator and isolator component(s) per se, not for applications, processes and circuits implemented within components or assemblies.  
 For questions on technology, prices and delivery, please contact our sales offices or e-mail [winnsky@winnsky.com](mailto:winnsky@winnsky.com).