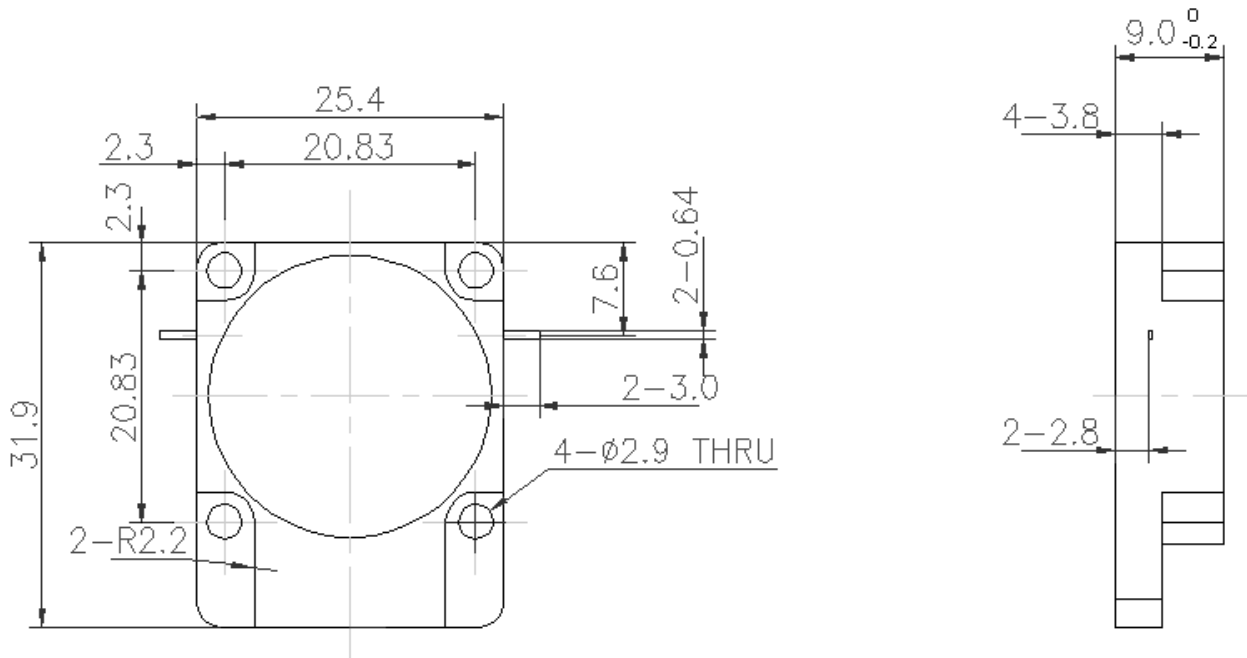


Features

- Microwave Circulators and Isolators for base station
- Metal Package for **drop in**
- Lead-free Production and **RoHS** Compliance

Package Dimensions



引脚材料：基材铜，同时保证引脚可焊性

<p style="text-align: center;">Marking</p> <p style="text-align: center;">*****</p> <p style="text-align: center;"> → ○</p> <p style="text-align: center;">1780-1800MHz</p> <p style="text-align: center;">NDI9033</p>	Top View, Laser Marking					
	"ND":	Manufacturer's mark		"I":	Isolator	
	"9033":	Part number				
	"I"	IN	"O"	OUT	⇨	Conduct Direction
	1780-1800MHz : operating Frequency Range					
	"*":	Lot number (the first two numbers of years and the last two numbers of weeks)				

Maximum Ratings

Rating		Value	Unit
Average Power	P_{AVG}	50	W
Peak Power	P_{PX}	200	W
Operating Temperature Range	T_A	-40 ~ +85	°C
Storage Temperature Range	T_{stg}	-55 ~ +125	°C

Electrical Characteristics

Reference temperature: $T_A = 25\text{ °C}$
 Terminating source impedance: $Z_S = 50\ \Omega$
 Terminating load impedance: $Z_L = 50\ \Omega$

Characteristic		Min.	Typ.	Max.	Unit
Working frequency	f_C	1780		1800	MHz
Insertion attenuation	IL	—		0.25	dB
Input Return Loss		23			dB
Output Return Loss		23			dB

 **RoHS Compliant**

 **Electrostatic Sensitive Device**

© NEDI 2015. All Rights Reserved.

Our liability is only assumed for the circulator and isolator component(s) per se, not for applications, processes and circuits implemented within components or assemblies.

For questions on technology, prices and delivery, please contact our sales offices or e-mail winnsky@winnsky.com.