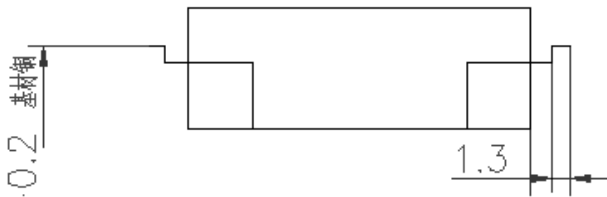
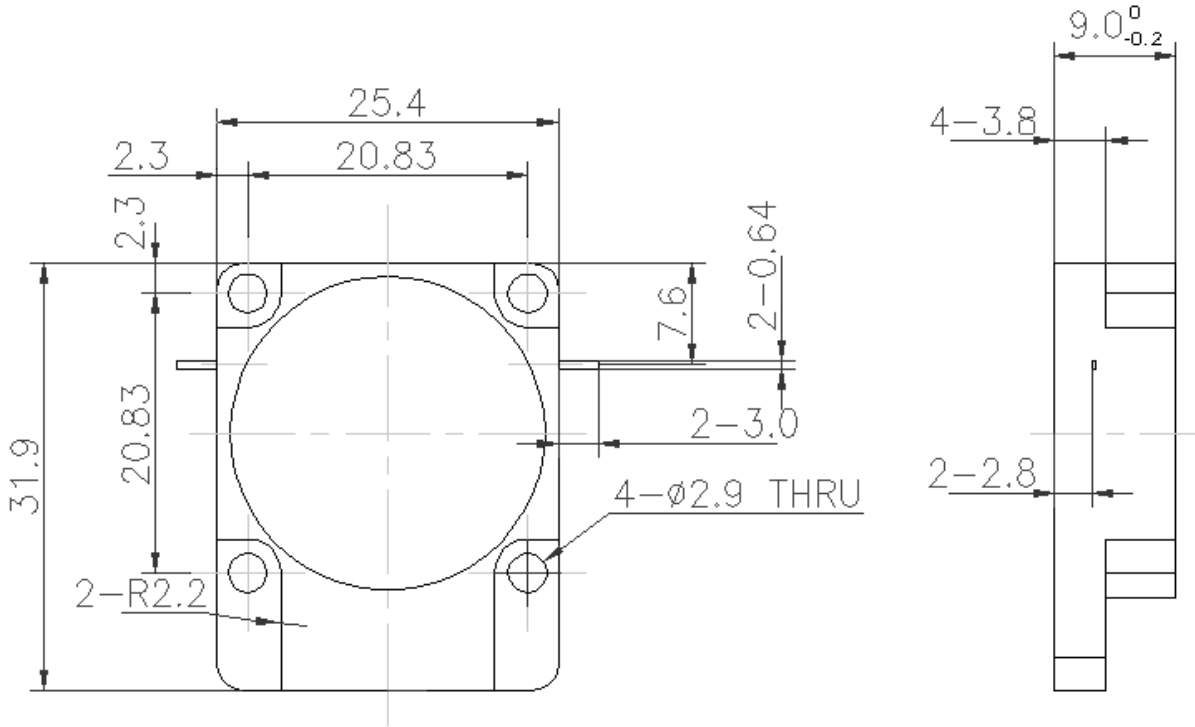


Features

- Microwave Circulators and Isolators for base station
- Metal Package for **drop in**
- Lead-free Production and **RoHS** Compliance

Package Dimensions



引脚材料：基材铜，同时保证引脚可焊性

<p>Marking</p>	Top View, Laser Marking				
	"ND":	Manufacturer's mark		"I":	Isolator
	"9061":	Part number			
	"I"	IN	"O"	OUT	Conduct Direction
		415-425MHz : operating Frequency Range			
	"*":	Lot number (the first two numbers of years and the last two numbers of weeks)			

Maximum Ratings

Rating		Value	Unit
Average Power	P_{AVG}	200	W
Reverse Power	P	60 瓦 20db	
Operating Temperature Range	T_A	-10 ~ +70	°C
		+90 ~ +100°C 功率容量不降低, 其他指标可降低 10%, 长期工作可靠性不降低	
Storage Temperature Range	T_{stg}	-55 ~ +125	°C
CPK		1.33	
IFR Intrinsic Failure Rate, FITs		Fits	<5
			FIT

Electrical Characteristics

Reference temperature: $T_A = 25\text{ °C}$
 Terminating source impedance: $Z_S = 50\ \Omega$
 Terminating load impedance: $Z_L = 50\ \Omega$

Characteristic		Min.	Typ.	Max.	Unit
Working frequency	f_c	415		425	MHz
Insertion attenuation	IL	—		0.3	dB
Isolation		25		—	dB
Input Return Loss		21			dB
Output Return Loss		21			dB

 **RoHS Compliant**
 **Electrostatic Sensitive Device**

© NEDI 2014. All Rights Reserved.

Our liability is only assumed for the circulator and isolator component(s) per se, not for applications, processes and circuits implemented within components or assemblies.

For questions on technology, prices and delivery, please contact our sales offices or e-mail winnsky@winnsky.com.