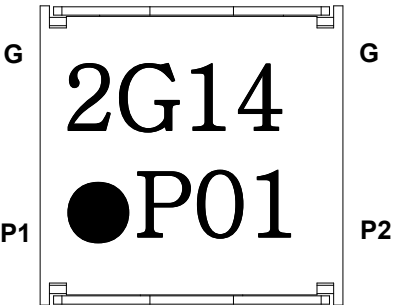
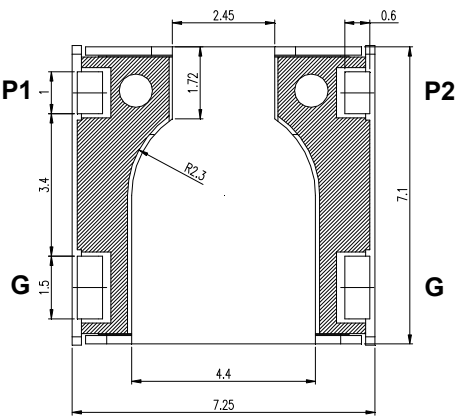


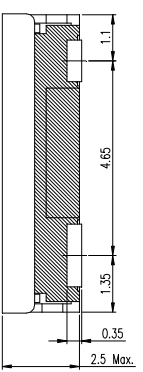
SMD ISOLATOR

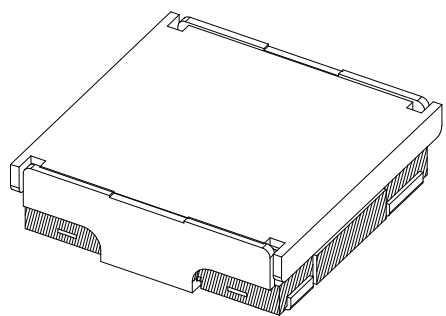
[P/N : IL07BL(R)2140AAE]



P1,P2 : IN/OUT Port
G : Ground
2G14 : 2140MHz[fc]
●P01 :
●P01 L type [signal flow direction P1 → P2]
P01● R type [signal flow direction P2 → P1]
 [or left side dot is L type,
 right side dot is R type]
P Partron co., Ltd.
0 Year [2010]
1 Month [January]
 (Oct,Nov,Dec denoted as **O,N,D**)







Scale : N/S
 Unit : mm
 Tolerance : ±0.2

ELECTRICAL SPECIFICATION	
Frequency Range	2110 ~ 2170 MHz
Operating Temp.	-35 ~ +85 °C
Insertion Loss	0.6 dB max.
Isolation	15 dB min.
VSWR	1.5 max.
Forward Power	10 W max.
Reverse Power	1 W max.

PART NUMBERING	
IL 07 B L(R) 2140 AA E	
IL	: Isolator Group
07	: Size [7*7*2.5t]
B	: Fabrication condition
L(R)	: Signal direction
2140	: Center frequency [2140MHz]
AA	: Fabrication condition
E	: Embossed plastic reel
* RoHS Compliant(Lead Free)	