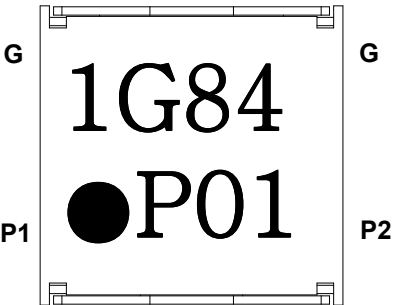
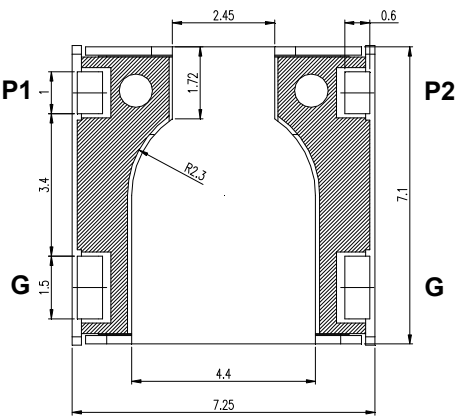


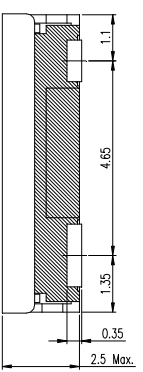
SMD ISOLATOR

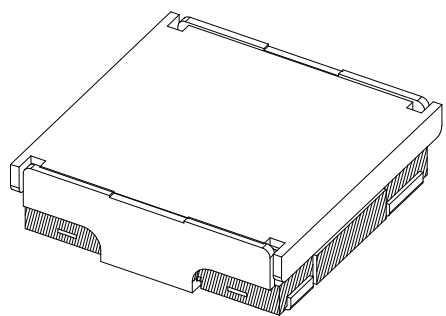
[ P/N : IL07BL(R)1842AAE ]



**P1,P2** : IN/OUT Port  
**G** : Ground  
**1G84** : 1842MHz[fc]  
**●P01** :  
**●P01** L type [signal flow direction P1 → P2]  
**P01●** R type [signal flow direction P2 → P1]  
 [or left side dot is L type, right side dot is R type]  
**P** Partron co., Ltd.  
**0** Year [2010]  
**1** Month [January]  
 (Oct,Nov,Dec denoted as **O,N,D** )







Scale : N/S  
Unit : mm  
Tolerance : ±0.2

ELECTRICAL SPECIFICATION	
Frequency Range	1805 ~ 1880 MHz
Operating Temp.	-35 ~ +85 °C
Insertion Loss	0.6 dB max.
Isolation	15 dB min.
VSWR	1.5 max.
Forward Power	10 W max.
Reverse Power	1 W max.

PART NUMBERING	
<b>IL 07 B L(R) 1842 AA E</b>	
IL	: Isolator Group
07	: Size [7*7*2.5t]
B	: Fabrication condition
L(R)	: Signal direction
1842	: Center frequency [1842.5MHz]
AA	: Fabrication condition
E	: Embossed plastic reel
* RoHS Compliant(Lead Free)	